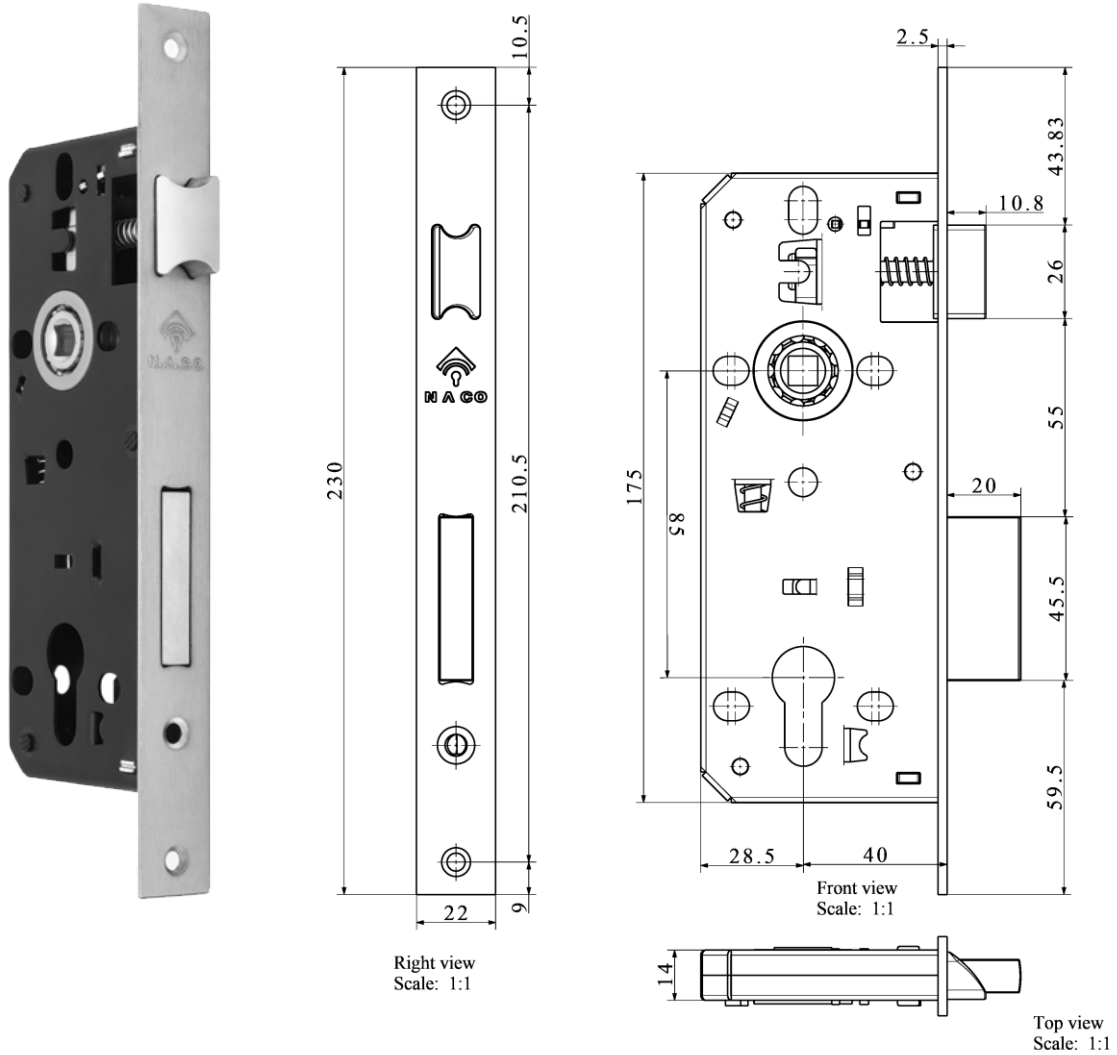




NACO

MORTISE DOOR LOCK



Model UNIQUE

SWITCH LOCK	Code : AP-028	Mortise door lock Lever (cylinder lock type) for Wooden Doors Double throws	
Case & face plated	Steel body (1.25mm thickness) , powder paint coated , high Corrosion Resistance		
Latch Bolt	Zink Alloy, nickel chrome Plated, Reversible According to the Door Direction Color Option: Brass, Galvanize, nickel plated According to face plate finish.		
Dead Bolt	Zink Alloy, nickel chrome Plated , Double throws Color Option: Brass, Galvanize, nickel plated According to face plate finish.		
Operation	5 years golden guarantee		
Unit Weight	488gr	Pieces Per Carton Box	30
Carton Box Demension	170*250*392 mm	Carton Box Weight	16300 gr