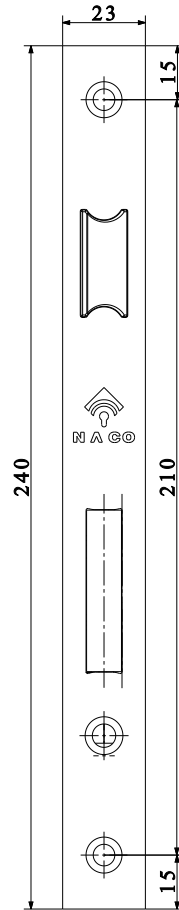


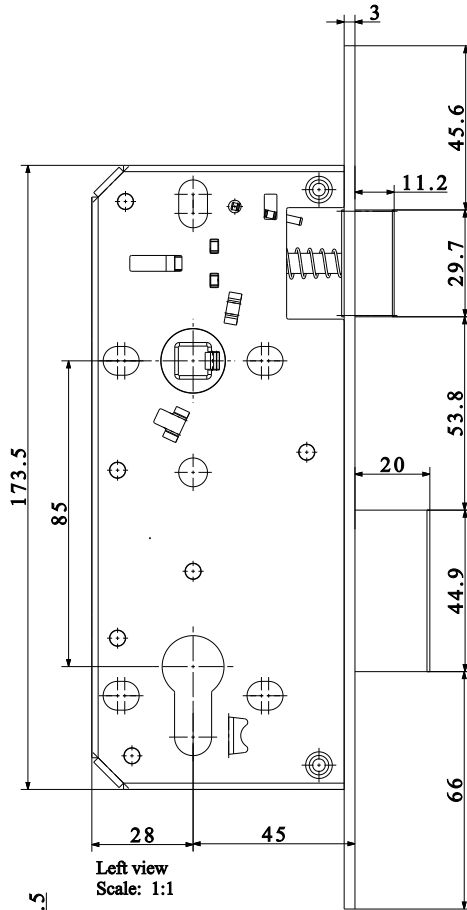


NACO

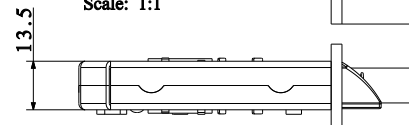
MORTISE DOOR LOCK



Front view
Scale: 1:1



Left view
Scale: 1:1



Auxiliary view A
Scale: 1:1

Model SILENT

The face plate
Available in Three different color



SWITCH LUX LOCK	Code : AP-024	Mortise door lock (cylinder lock type)for Wooden Doors Double throws	
Case & face plated	Steel body (1.25mm thickness) , powder paint coated , high Corrosion Resistance		
Latch Bolt	Brass Alloy, nickel chrome plated, Reversible According to the Door Direction Color Option: Silver & Gold and green olive Plated According to face plate finish.		
Dead Bolt	Steel Alloy, nickel white & Gold Plated , Double throws Color Option: Silver & Gold and green olive Plated According to face plate finish.		
Operation	5 years golden guarantee		
Unit Weight	615gr	Pieces Per Carton Box	30
Carton Box Demension	200*283*537 mm	Carton Box Weight	20000 gr